



Fitting Instructions

C41U
TOWBAR
For CITROEN C5 SALOON for
2008- C41 &
C41 Q

MATERIALS

A	1	Cross Bar
B	1	L/H Side Arm Crash Beam
C	1	R/H Side Arm Crash Beam
D	1	L/H side Chassis Rail Arm
E	1	R/H Side Chassis Rail Arm
F	8	M8 x40 x1.25 mm Bolts, Lock Washers and x8 Washers (25 mm OD).
G	1	M10 x30 x1.50 mm Bolt, Lock Washer and x1 Washer (25 mm OD).
H	2	M12 x 50 x 1.75 mm Bolts, Lock Washers and x 2 Washers (25 mm OD)
J	2	M12 x 50 x 1.75 mm Bolts, x 4 Washers (25 mm OD) and 2 Nyloc Nuts
K	4	M12 Bolt Caps
L	1	Electrical Plate (ZEP2)
M	6	M6 Washers (13 mm OD)
N	1	M10 x 50 x1.50 mm Bolt, Lock Washer and x1 Washer (25 mm OD).

For use with either

C41 Flange Neck Option - ZF 2033 . This towbar must be used with either a Witter Towball (part number Z11) or Class A50-1 or A50-X towball dimensionally Conforming to A50-1 with a 'D' and 'S' value greater than or equal to that of the towbar.

C41Q Detachable neck option ZQ 2070 . Please refer to ZQ fitting instructions for installation.

FITTING

Bumper removal

1. Check to ensure that you have all the necessary parts. To remove bumper, open boot unclip inner boot linings to obtain access to rear lights. Disconnect and remove rear light clusters: **x2** plastic nuts behind each light cluster. **This will expose 1 torx screw hidden inside the boot, remove on both sides.**
2. Undo 2 upper torx screws on the outside of bumper, continuing with 2 arch screws and 1 tip screw each side. Fold back inner arch cloth to expose 1 torx each side. For **reversing sensors** unplug the connection found under the offside rear.
3. Remove 4 screws under bumper and 1 nut.. To remove bumper pull tips outwards this can be eased by sliding a screw driver from the inner arch to release clip.

Fitment of Cross bar

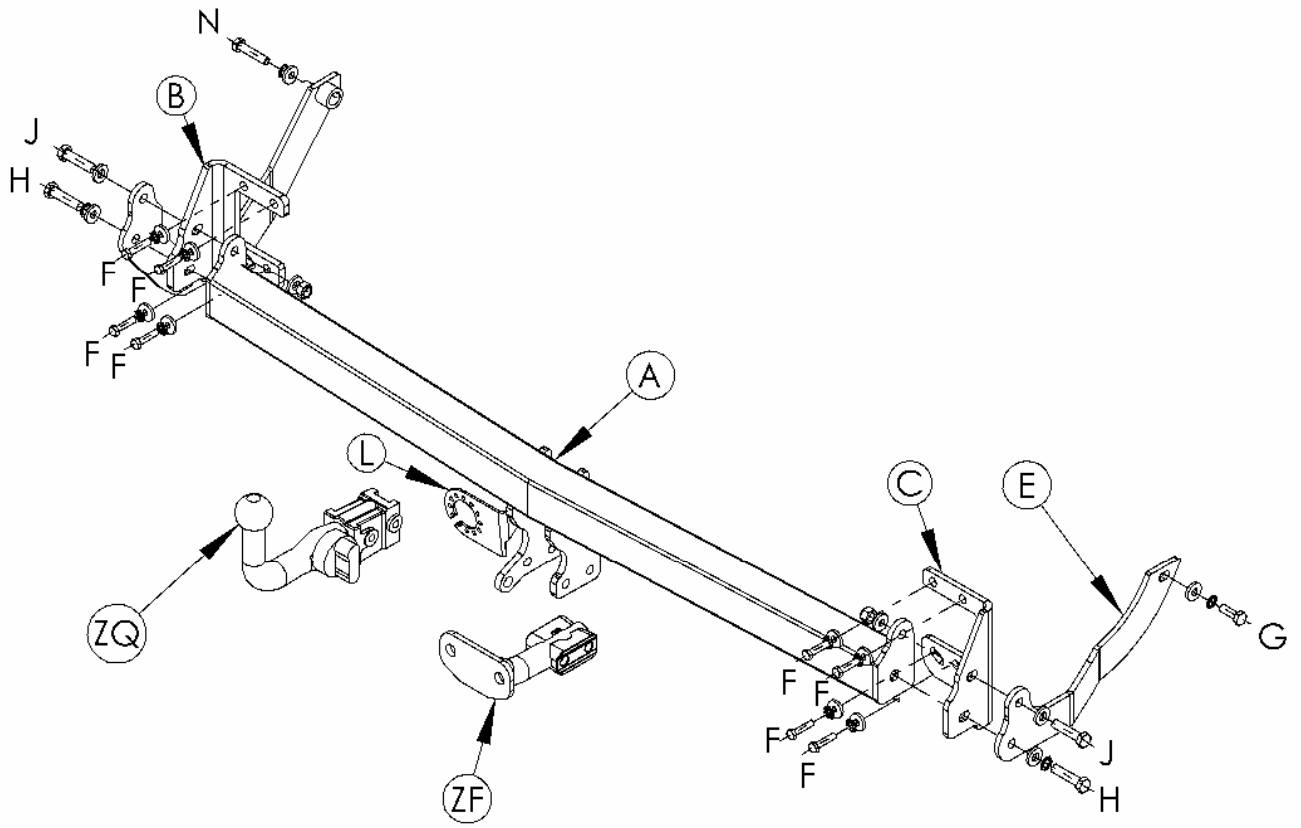
4. Remove nearside side crash beam bolts and discard. Fit part **(B)** and **(C)** over the crash beam flange and fit bolts **F** to the car ensuring the side arms are pushed outwards to give maximum clearance for part **(A)**. Tighten fully to recommended torque.
5. Fit right side arm **(E)** using bolt **(G)** and allow to swivel. Bring up part **(A)** to side arms **(B) & (C)**.
6. Rotate side arm **(E)** to align with Parts **(A) and (C)** and use bolt **(J)** to align and thread through. Carry out same process to side arm **(D)**, fit bolt **(N)**, rotate up and use bolt **(J)** for support. Whilst the assembly is still loose fit captive bolts **(H)**. Fully tighten bolts **(J),(H),(G) & (N)** to their recommended torque.
7. To refit the bumper, unclip the plastic supports as shown and remove 1 Torx screw each side. Once removed refit the Torx screw for the outer trim, use washers **M** provided to match plastic support thickness.
8. Refit bumper ensuring upper tips align, refit all the screws, that were removed and ensure the reverse sensor plug is reconnected.
9. Attach preferred neck and Electrical Plate Bracket **(ZEP2)** following the additional fitting instruction provided. **Fully tighten all remaining fixings to the recommended torque setting.**
10. If extra clearance is preferred for the detachable then trim the bumper to suit, the cut will remain invisible.

Please refer to the vehicle specification for the trailer weight and nose limits, which **must be observed**.

Recommended torques settings: M8 - 27Nm, M10 - 53 Nm, M12 - 95 Nm, M16 - 214 Nm **Grade 10.9:** M12 – 139Nm, M10 – 78Nm



W0001C41U-FIT\$020805120000



Remove Bumper Support



Use washers (M)