



Fitting Instructions

TOWBAR
For Jeep Wrangler (JK)
June 2007-

CH15U
for
CH15 &
CH15R

MATERIALS

A	1	Cross Bar
C	1	Fixed neck
D	1	Spreader Plate
E	2	M12 x 75 Bolts (8.8 Grade) and Nyloc Nuts
F	4	M12x120 Bolts (10.9 Grade), Flat washers (Dia. 30 mm) and Lock washers
ZE	1	Electrical Plate (SEP-M)

For use with either

CH15 Flange neck option –Note: This towbar must be used with either a Witter Towball (part number Z11) or Class A50-1 or A50-X towball dimensionally Conforming to A50-1 with a 'D' and 'S' value greater than or equal to that of the towbar.

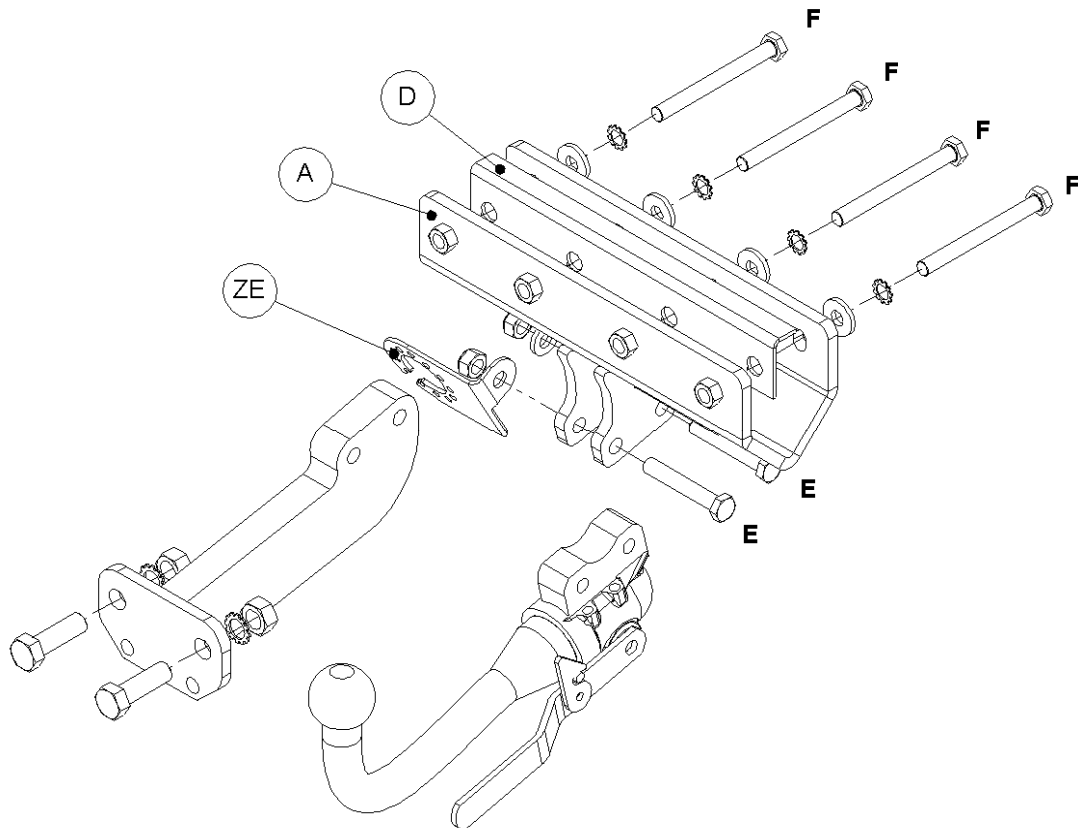
CH15R Detachable neck option – ZR2L027.

FITTING

1. Lower exhaust in order to gain access to mounting holes.
2. Attach Crossbar (A) to rear vehicle cross member using bolts (F) – If crossbar is loose on vehicle chassis due to variation, the spreader plate (D) may be needed to space the crossbar from the vehicle chassis.
3. Fix neck option in place using bolts (E).
4. Torque bolts as shown below and refit exhaust.

Note: Should the Towball in any way encroach the number plate, then the neck must be removed then not in use

Recommended torque settings: Grade 8.8 bolts: M12 - 95 Nm, M16 - 214 Nm
Grade 10.9: M12 – 139Nm



W0001CH15U-FIT\$020802220000