



Fitting Instructions

TOWBAR PG29A
For PEUGEOT 206
(December 1998-)

MATERIALS

A	1	Towbar Mainframe
C	1	Centre Tube with European facing to 94/20/EC A50-1
D	6	Spacers
E	4	M10 x 35mm x 1.5 Bolts, Special Cage Nuts, Lock Washers and Large Flat Washers (30mm dia.)
F	2	M16 x 40mm Coupling Bolts, Nuts and Lock Washers
G	1	ZEP35 Electrical plate (not shown)
CB	2	M16 x 50mm Coupling Bolts, Nuts and Lock Washers
	2	M16 Bolt Caps for (F)

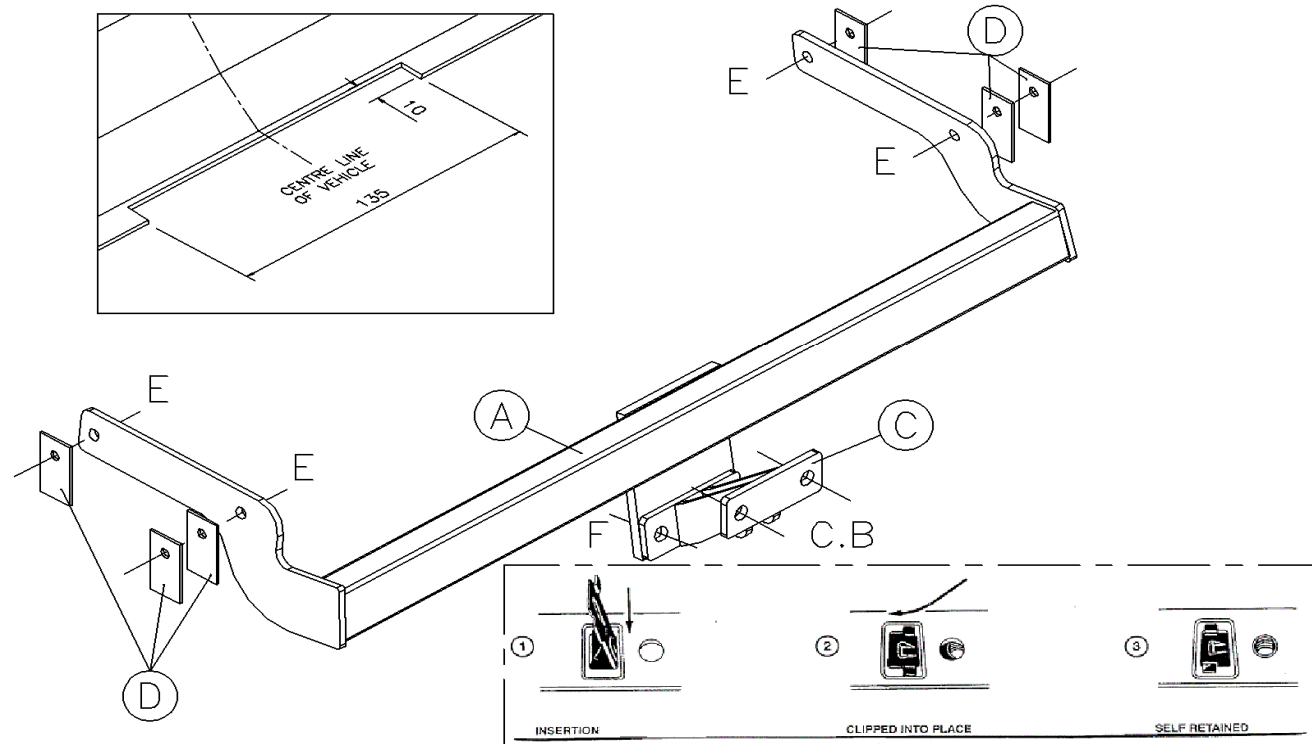
FITTING

1. Ease the exhaust off its two rearmost hangers. Remove heat shield, where present (3 fasteners). Remove the two nuts holding the bottom tags of the bumper to the rear valance. Lower the spare wheel cage (use the wheel brace to loosen the special slotted bolt head inside the boot).
2. Cut a small piece from the lower horizontal section of the bumper 135mm wide (on the centreline of the vehicle), 10mm deep (see sketch below). **N.B: Cut not necessary on GTi model.**
3. Insert the cage nuts through the slots in the chassis and locate them in position. Offer up Mainframe (A) to the chassis rails and determine the gap between the Sidearms and chassis (the bottom bumper tags need to be bent down while the Mainframe is manoeuvred between the bumper and valance). Attach Mainframe (A) to the cage nuts using Bolts (E), placing the appropriate number of spacers (D) between the Sidearms and chassis.
4. Attach the Centre Tube (C) to the Mainframe (A) using Bolts (F).
5. Relocate bumper tags to the rear valance and secure with original nuts. Replace heat shield, spare wheel cage and exhaust. On diesel variants, the exhaust may need to be lowered slightly by bending down the rearmost exhaust hanger. Finally, **Tighten all Bolts.**

Note: This towbar must be used with either a Witter Towball (part number Z1) or Class A50-1 or A50-X towball dimensionally Conforming to A50-1 with a 'D' and 'S' value greater than or equal to that of the towbar.

Please refer to the vehicle specification for the trailer weight and nose limits, which **must be observed.**

Recommended torque settings: M8 - 27Nm, M10 - 53 Nm, M12 - 95 Nm, M14 - 150 Nm, M16 - 214 Nm



W0001PG29A-FIT\$010802220000