



Fitting Instructions

DETACHABLE TOWBAR **VW64U**

For Golf MK 6

For use with bumper lower skirt with removable panel – contact Audi/Volkswagen with vehicle ID for parts

MATERIALS

A	1	Cross Tube
D	2	Sidearms
EP	1	Electrical Plate (ZEP3)
E	6	M10 x 40 x 1.5mm Bolts (10.9 Grade), Lock Washers, 6 Large Flat Washers (30mm O.D.) and Special Nut Retainers with Square Nuts
SC	1	Safety chain bracket (ZSCP5)

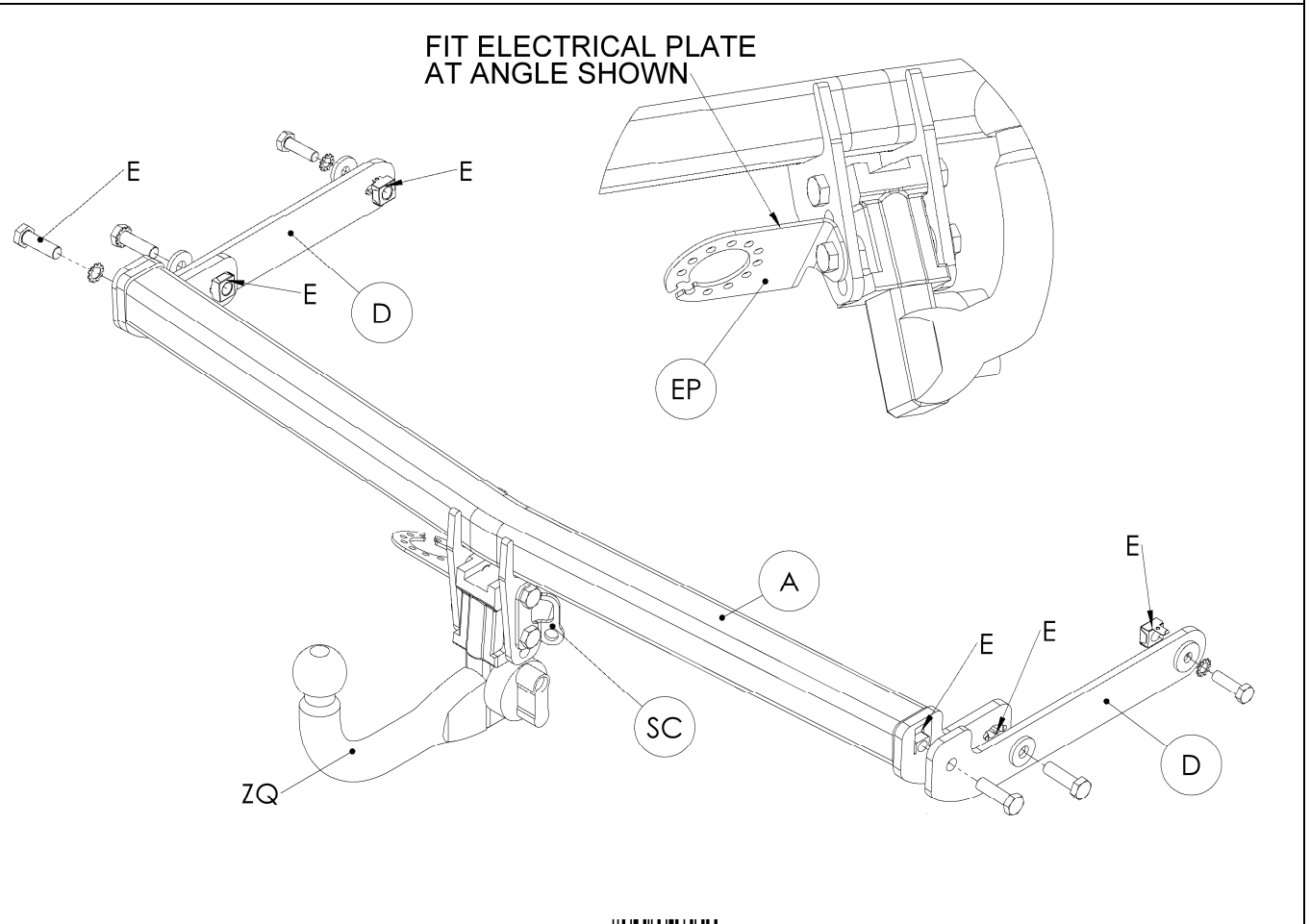
For use with

VW64Q Detachable neck option – ZQ3013. Please refer to ZQ fitting instructions for installation

FITTING

1. Remove bumper (Torx head screws around each wheel arch, along lower edge of rear panel). Remove bumper cross beam from vehicle and discard (or retain for fitment when towbar is removed). **Refit Bolts** to prevent ingress of water.
2. Assemble Special Cage Nuts as shown (PAGE 2) and insert into forward hole of Sidearm (D) and Forward hole of Crossbar (A).
3. Insert Sidearms (D) inside chassis and loosely secure using forward Bolts (E) at existing holes (covered in tape).
4. Loosely attach Cross Bar (A) to Sidearms (D) using Bolts (E). Fully tighten all Bolts. **DO NOT OVER TIGHTEN!**
5. Attach neck assembly (upper most holes) with Electrical Plate (EP) and safety Chain bracket (SC). Fully Tighten Bolts.
6. Replace lower skirt and refit Bumper.

Recommended torque settings: Grade 8.8 bolts: M8 - 24Nm, M10 - 70 Nm (10.9), M12 - 80 Nm, M14 - 130 Nm, M16 - 200



W0001VW64Q-FIT\$010909020000



Special cage nut installation guide

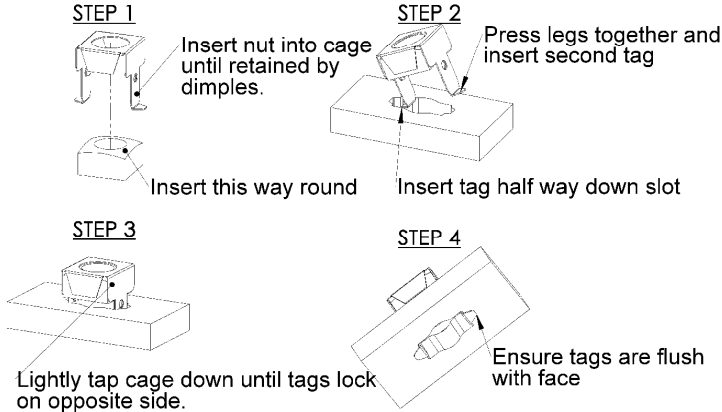
Caution: The special cage nut retainers are designed to fail if over tightened, protecting threaded nut from damage.

DO NOT OVER TIGHTEN – M12 BOLTS = 80Nm, M10 BOLTS = 52Nm.

Inserting Caged Nut into open hole (e.g. sidearm)

CAUTION: The special cage nut retainers are designed to fail if over torqued, protecting threaded nut from damage. Do not use this feature as a measure of torque, always use a torque wrench.

DO NOT OVER TORQUE - M12 BOLTS =80Nm, M10 BOLTS (10.9)=70Nm



Inserting Caged Nut into closed hole (e.g. end of cross tube)

